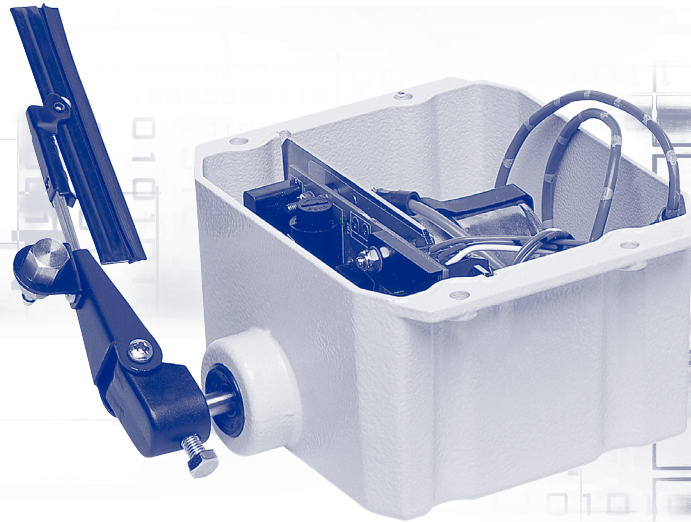


# Type DW Wiper



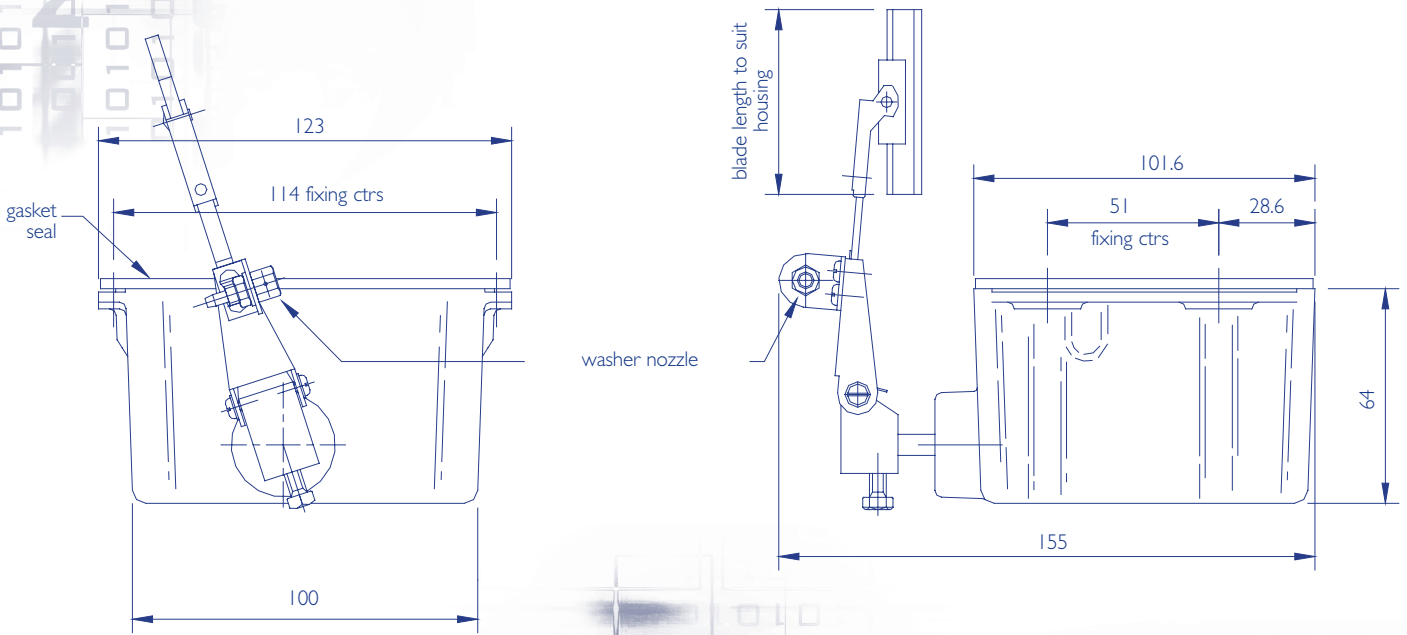
The Dedicated Micros wiper unit is designed to accompany the type WW/5 & WW/25 washer boxes. Together they provide a complete window wash/wipe system for the Dedicated Micros range of enclosures. Constructed from pressure die-cast Aluminium alloy, powder coated & stoved with stainless steel wiper arms & fittings, the units offer environmental protection to BS. EN. 60529 level IP65.

The self parking arm is fitted with a washer jet as standard.

## benefits

- **SELF PARKING WIPER ARM**
- **WASHER NOZZLE FITTED TO ARM AS STANDARD**
- **STAINLESS STEEL WIPER ARM & BLADE**
- **WEATHERPROOF. BS. EN60529 LEVEL IP 65 (NO WATER INGRESS)**
- **OPTIONAL BRUSH ARM AVAILABLE**
- **BUILT IN FUSE PROTECTION**
- **AVAILABLE VOLTAGES- 230VA.C. | 110VA.C. 24VA.C. & 24VD.C.**

# Type DW Wiper



All Dimensions in millimetres

## Specification

### WIPE ANGLE

- 45°

### MATERIAL

- Aluminium alloy

### FINISH

- Powder coated and stoved

### WEIGHT

- 0.9kg

### POWER CONSUMPTION

- 6VA

PLEASE CHECK THE WEBSITE FOR LATEST DEVELOPMENTS

FOR FURTHER INFORMATION PLEASE CONTACT

The manufacturer reserves the right to change the specification without notice.

All trademarks are courtesy of registered owners.  
DM is a trademark of Dedicated Microcomputers Group Ltd.  
REF: DM01/05



**DEDICATED MICROS**

[www.dedicatedmicros.com](http://www.dedicatedmicros.com)

Doc 74 0230

#### Dedicated Micros UK

11 Oak Street, Swinton, Manchester, M27 4FL, UK Tel: +44 (0) 161 727 3200 Fax: +44 (0) 161 727 3300.

#### Dennard UK

Tel: +44 (0)1252 614884 Fax: +44 (0)1252 626013 e-mail: sales@dennard-cctv.com

#### Dedicated Micros USA

14434 Albemarle Point Place, Suite 100, Chantilly, Virginia, 20151 USA Freephone: 800 864 7539  
Tel: +1 703 904-7738 Fax: +1 703 904-7743 and 23456 Hawthorne Blvd. Suite 100, Torrance, CA 90505,  
Tel +1 310 791-8666 Fax: +1 310 791-9877.

#### Dedicated Micros Europe

Neckarstraße 15, 41836 Hückelhoven, Germany Tel: +49 243 352 580 Fax: +49 24 33 52 58 10  
e-mail: infobox@dmicros.com

#### Dedicated Micros Belgium

Joseph Chantraineplantsoen 1, 3070 Kortenberg, Belgium Tel: +32 2751 3480, Fax: +32 2751 3481  
e-mail: dmbenelux@dmicros.com

#### Dedicated Micros Ltd. Slovenija

Delavska cesta 26, 4208 Sencur-Slovenija Tel: +386 (4) 279 18 90, Fax: +386 (4) 279 18 91  
e-mail: dmslovenia@dmicros.com

#### Dedicated Micros France

9-13 rue du Moulinet, 75013 Paris, France Tel: +33 1 45 81 99 99, Fax: +33 1 45 81 99 89.  
e-mail: dmfrance@dmicros.com

#### Dedicated Micros Asia

16 New Industrial Road, #03-03 Hudson Techno Centre, Singapore 536204 Tel: +65 62858982 Fax: +65 62858646.

#### Dedicated Micros Australia

5/3 Packard Avenue, Castle Hill, NSW 2154, Australia Tel: +612 9634 4211 Fax: +612 9634 4811.

#### Dedicated Micros Malta

UB 2, San Gwann Ind. Est., San Gwann, Malta Tel: +356 21483 673 Fax: +356 21449 170.

#### Dedicated Micros Middle East

Building 12, Suite 302, P.O.Box 500291, Dubai International City, Dubai, United Arab Emirates  
Tel: +971 (4) 390 1015, Fax: +971 (4) 390 8655.